

Innolumis

Mini-Nicole

INSTALLATION MANUAL

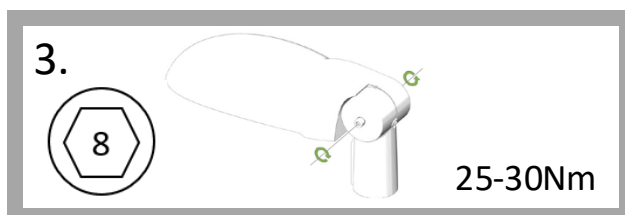
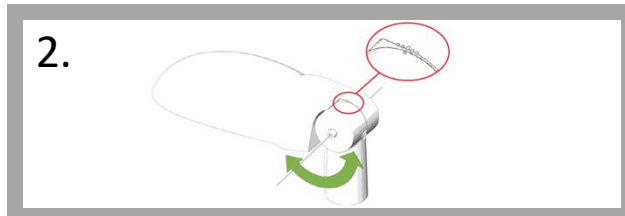
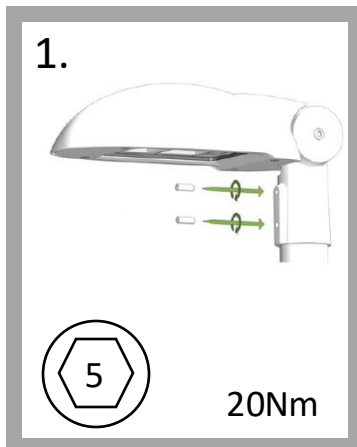
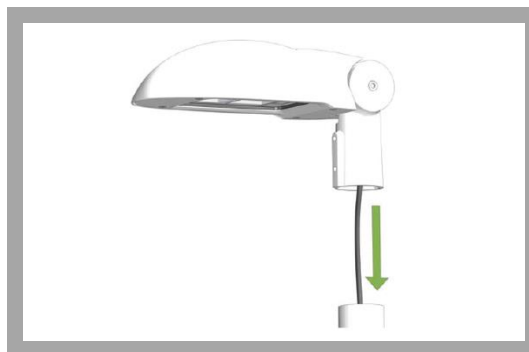
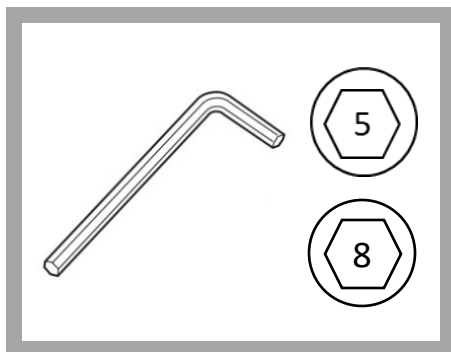
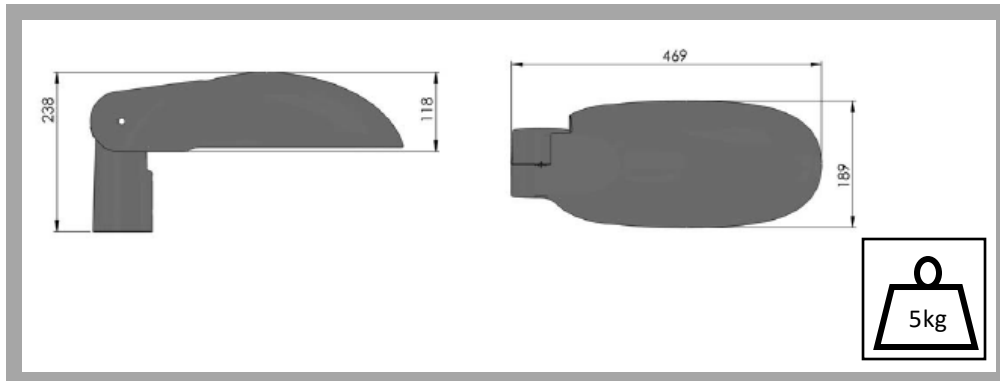
INSTALLATIEHANDLEIDING
INSTRUCTIONS DE MONTAGE
MONTAGEANLEITUNG
ISTRUZIONI DI MONTAGGIO
INSTRUCCIONES DE MONTAJE

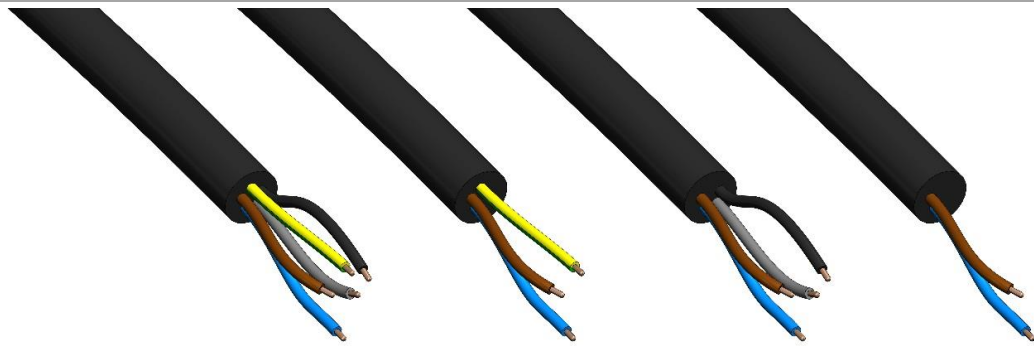


CAUTION, RISK OF
ELECTRIC SHOCK

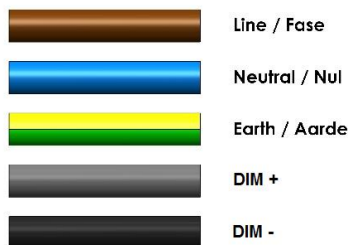


IEC EN60598	IP66 IP67	IK08	220-240VAC 50-60Hz					
-----------------------	----------------------------	-------------	-----------------------	--	--	--	--	--





Class I external wiring Class I standard Class II external wiring Class II standard



		Blue	Brown	Yellow/Green	Grey	Black
Class 1	Standard/Zhaga	N	L			
	1-10V/DALI Class 1	N	L		+ 0-10V / D+	- 1-10V / D-
	SDU Class1	N	L			+LC
Class 2	Standard/Zhaga	N	L			
	1-10V/DALI Class2	N	L		+ 0-10V / D+	- 1-10V / D-
	SDU Class2	N	L			+LC

PLEASE MAKE SURE TO LUBRICATE ALL NUTS/BOLTS WITH AN APPROPRIATE GREASE OR LUBRICATION. SUGGESTION: KROON OIL CERAMIC GREASE.

THE LIGHT SOURCE CONTAINED IN THIS LUMINAIRE SHALL ONLY BE REPLACED BY THE MANUFACTURER OR HIS SERVICE AGENT OR A SIMILAR QUALIFIED PERSON.

Innolumis Public Lighting B.V.

Ariane 4
 3824 MB Amersfoort
 the Netherlands
 T +31 (0)33 760 04 34
 F +31 (0)33 760 01 35
 E info@innolumis.com

Innolumis

www.innolumis.com